

2023 PRODUCT GUIDE

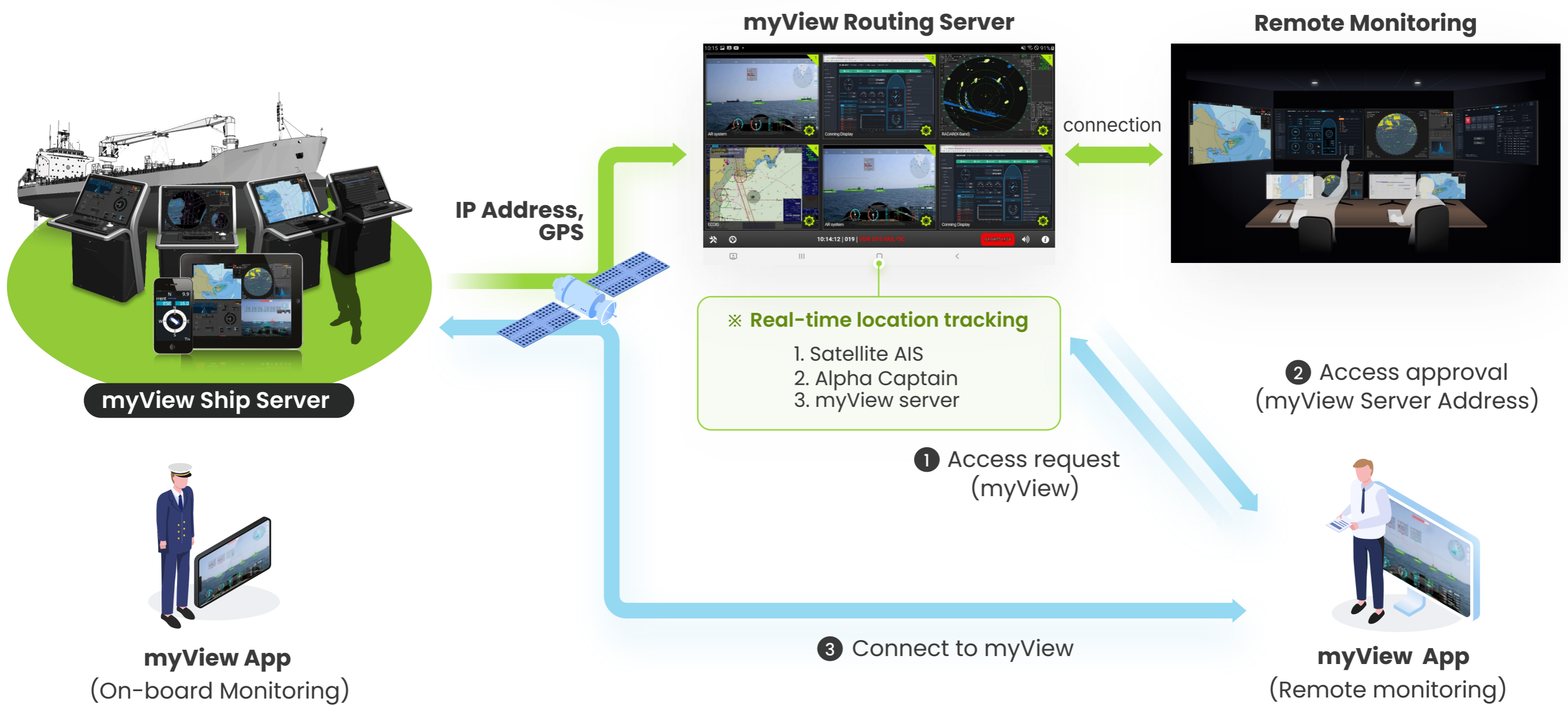
Smart Ship Simple Solutions

myView : Smart Bridge Monitoring System
Alpha Captain AR : CCTV AR Navigation
Alpha Captain 21 : Ship Management System

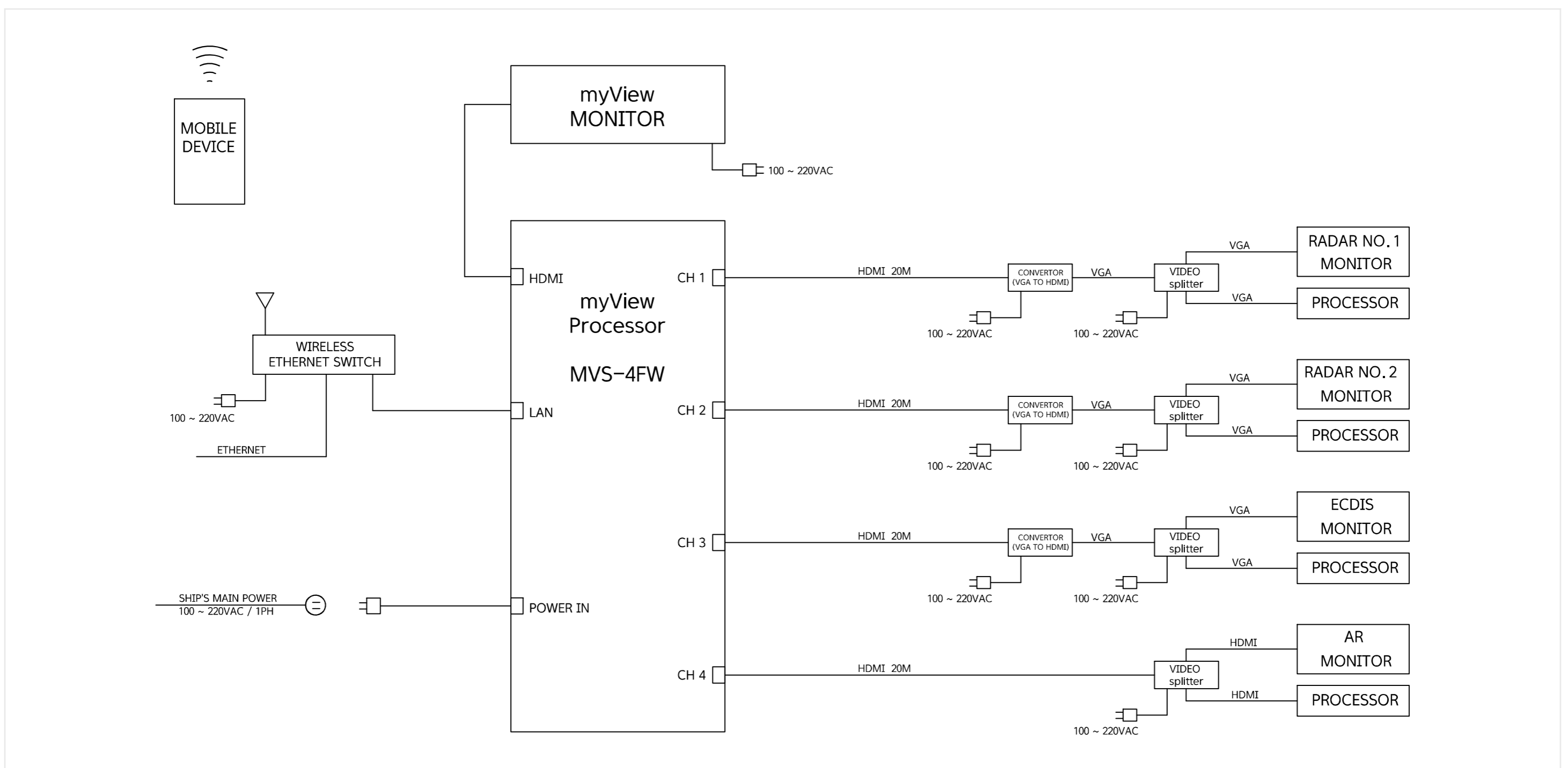
I My View(MVS)

MyView is a smart bridge monitoring system which can give you convenient access to remote monitoring of ship's sensor information such as RADAR, ECDIS, CCTV and many more on web or mobile no matter where you are. The system consists of a server and multi clients, and the server is installed on the bridge and transmits various sensor data on the ship to your mobile device or remote monitoring stations in your office through satellite networks.

myView ROUTING

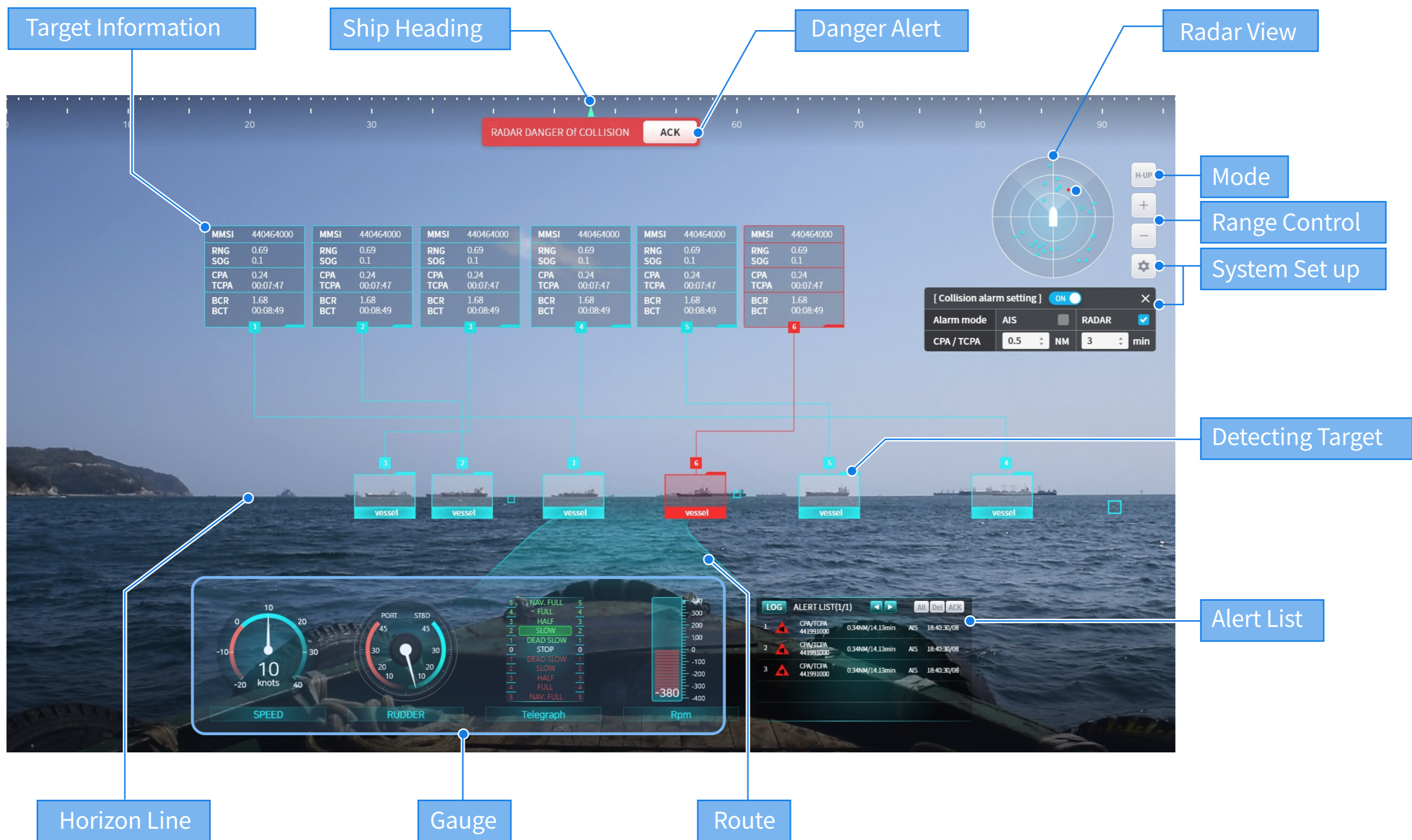


- Remote monitoring through MyView (Web and Mobile)
- Mobile Playback of VDR (Voyage Data Recorder)
- Mobile Alarm Monitoring System

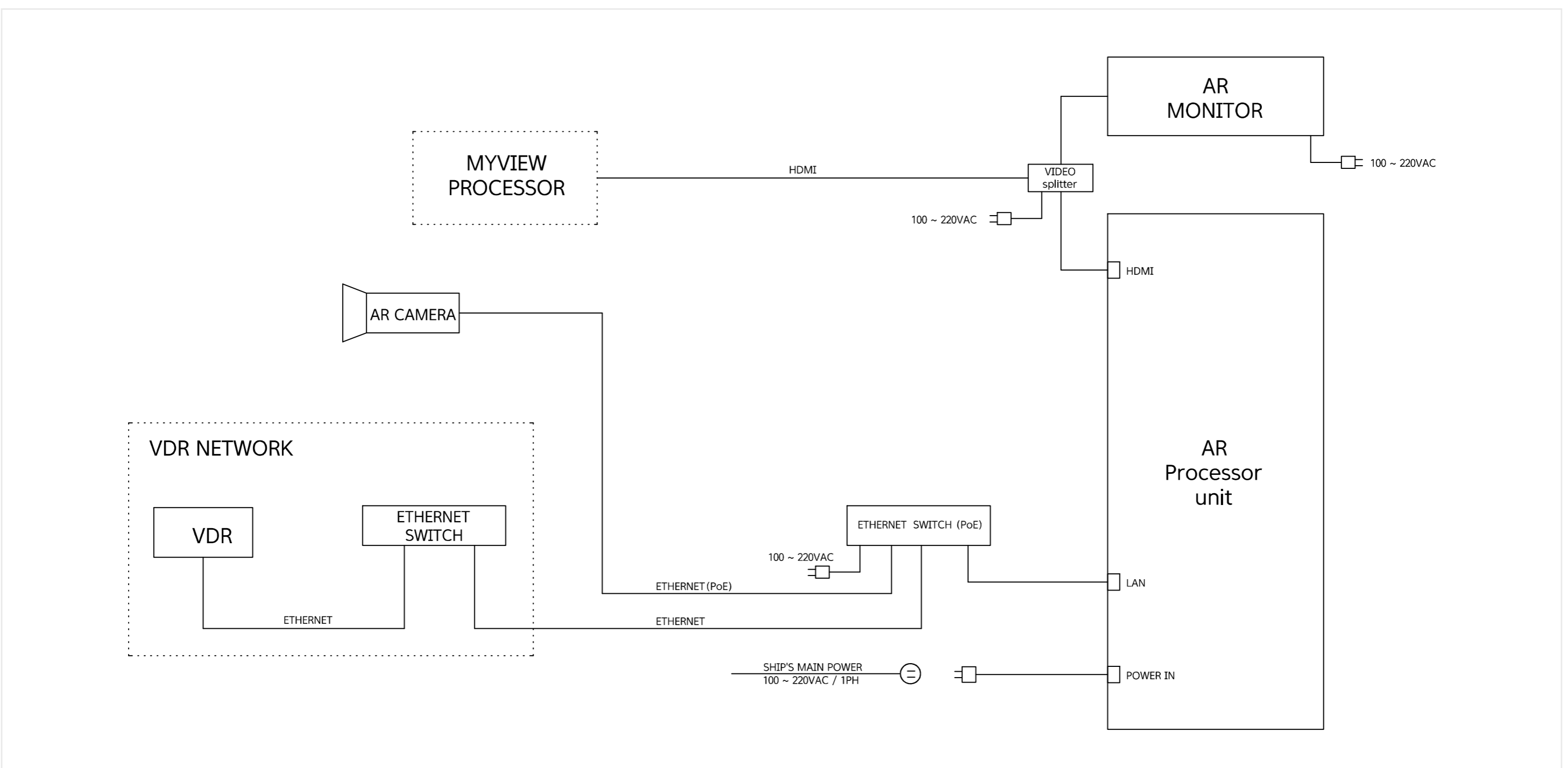


II Alpha Captain AR

Alpha Captain AR is an Augmented reality Navigation System which provides powerful situation awareness with intuitive user interface employing AI technologies to detect ships in the IP camera's field of view.



- Intuitive situation awareness through AR and 2D Radar View
- Display of navigational information and critical collision risks
- 720 hours of storage on the system



	MVS Server	Alpha Captain AR
Operation System	Window10 Pro, 64-bit	Window10 Pro, 64-bit
Memory	RAM 8G	RAM 8G
Frame Grabber	4ch WUXGI Compliant	-
Display	W215 Touch Monitor	W215 Touch Monitor
Interface	Standard (1 x RJ 45, 2 x DisplayPort, 4 x HDMI Input), NMEA 0183	Standard (1 x RJ 45, 2 x DisplayPort, Option : HDMI X 1)
Power Requirement	335W (Monitor : 35W)	585W (Monitor : 35W)
Input Voltage	110 or 220V	
Dimensions (W x H x D)	350(H) x 154(W) x 274(D) / Anti-Vibration kit : 405(H) x 163(W) x 298(D)	
Weight	7.93Kg (Anti-Vibration kit 9.40Kg)	
Temperature	Operating : 0 ~ 70 °C , Storage : -20 ~60°C	
Relative Humidity	0~95%	
Certification	ABS, BV, CCS, DNVGL, KR, LR, NK	
Scope of Supply		
Standard Component	<ul style="list-style-type: none"> - MyView Server - 4ch Frame Grabber - WUXGA Touch Monitor (Type Approval) - USB Driver/Utility /Manual - Ethernet switch 	<ul style="list-style-type: none"> - AR Controller - IP Camera - Ethernet switch(PoE)
Options	<ul style="list-style-type: none"> - Video Splitter - HDMI Coverter - NMEA Multiplexer - MyView Client Android : 10.1" / 8.7" / 6.1" - MyView Client iOS : 10.2" / 8.3" / 6.1" 	<ul style="list-style-type: none"> - Video Splitter - HDMI Coverter
Delivery & Warranty		
Delivery	F.O.B Busan, The delivery time is 3-4 weeks upon order's confirmation	
Warranty	One(1) Year for H/W and S/W after the delivery	
Return Policy	<ul style="list-style-type: none"> - Product Replacement in case the system or any part is found defective itself less than 30 days after delivery - All defective products may be returned for replacement or repair at the manufacturer's discretion within the standard warranty period. - Products returned without a return authorization will be refused 	
Limitation of liability	<ul style="list-style-type: none"> - The warranty does not include damages that may have resulted from end users - The warranty does not cover service that are the result of customers abuse or misuse 	
Support	<ul style="list-style-type: none"> - The Software Maintenance shall include update releases, version releases and supplements effective from the delivery of the System. If the firmware is an older version then upgrade it with the latest one which can be downloaded from the KJ website. After successful firmware upgrade you need to reset the system - Web Supporting Portal / Initial Program Loader / Remote Power Control / Version update - Web Interface / Administrator / Version update - Hardware model may be changed without notice - You can download both installation and operation manual on www.kjeng.kr - If you have any difficulty in installing or operating it, please contact our customer service desk (tech@kjeng.kr) - For sales, (+82 51 404 5650 / +82 10 4944 3449 / e-mail sales@kjeng.kr) - Call center operation Time (09:00AM ~ 17:00 PM except for Sat. Sunday & holidays) 	

III Alpha Captain 21 (Ship Management System)

Alpha Captain 21 is the de facto standard for fleet management software and it is a proven, easy to use, but powerful and allows efficient and cost effective management of ships and various departments of a modern shipping enterprise. Main modules are :

- Planned Maintenance System(PMS)
- Route Plan and Voyage Management System
- Reporting System
- Quality and Safety
- Crewing Management System

Ship Management System



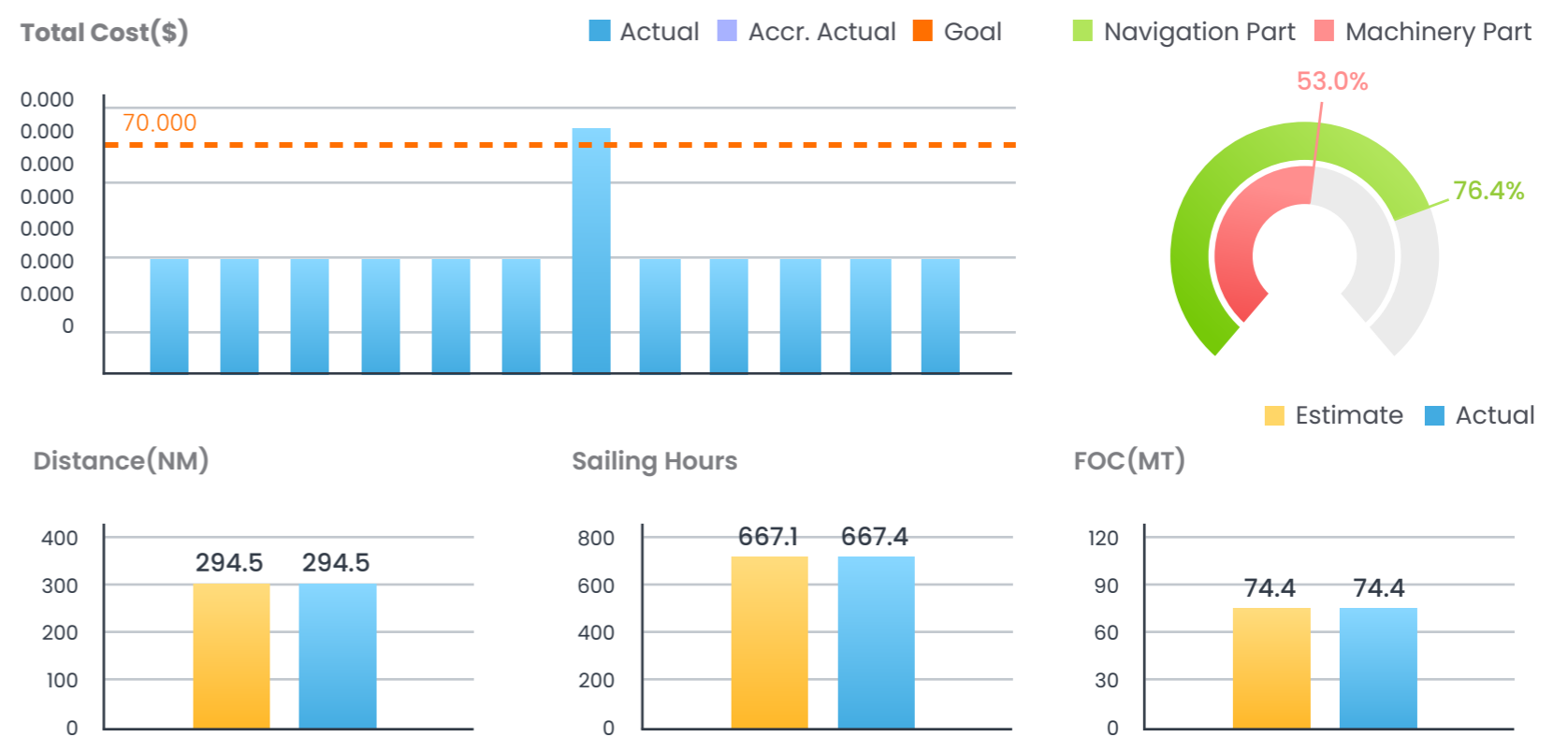
Initial Setting



Ship management

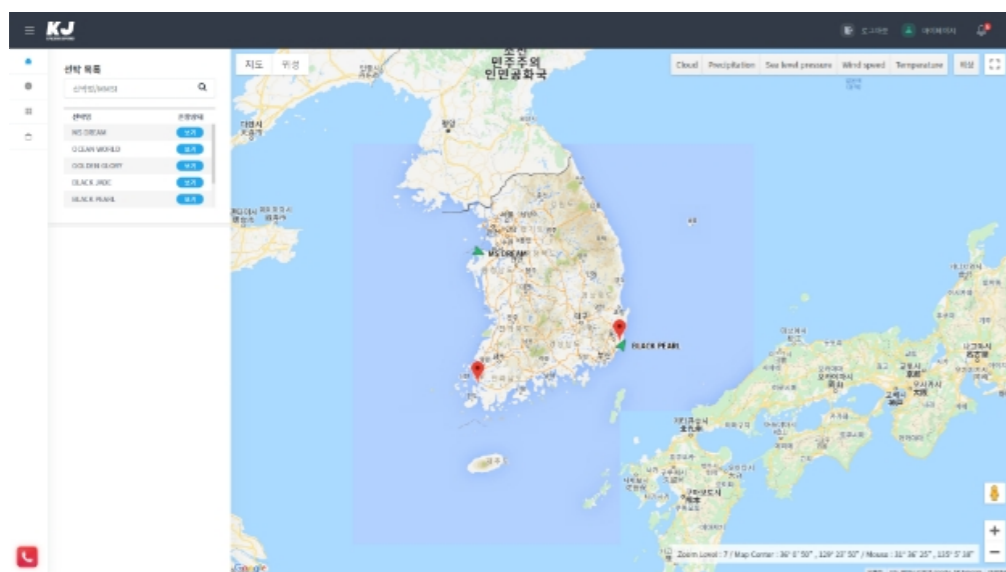
SCHEDULE (P)	VOYAGE (D)	REPORT (A)	STATISTICS (C)
CREW	DEPARTURE/ARRIVAL	DEPARTURE/ARRIVAL	VOYAGE
VOYAGE	VOYAGE	NOON	EEXI
TRAINING	ISM	AB-LOG	CII
PMS	PMS	SEEMP	BUDGET AND COST

Statistics



01 Alpha Office / Fleet Management Service

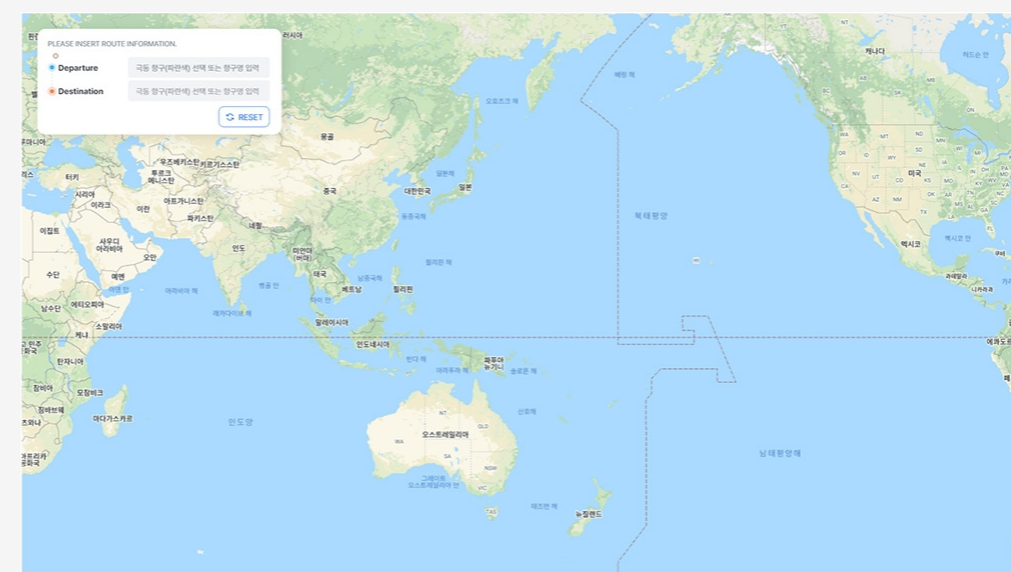
Alpha Office is a cloud based fleet management service. It supports you to check the status of each fleet at a glance through the bespoke dashboard wherever there is an internet connection.



- Efficient Fleet management
- Real Time coordinated response in an emergency
- Voyage Status Monitoring
- A data smart approach to fleet management

Optimal Route System

Optimal Route System using Real Time Weather/Vessel information!



- ETA for a ship's feasible routes
- UKC reflecting tidal information of the destination port
- Efficient navigation management by providing EEXI/CII response simulation
- Convenience and intuitiveness with next-generation customized UX/UI

02 Alpha Captain / Voyage Management Service

Alpha Captain is an IoT platform-based vessel management service. It helps you to integrate all core ship activities for your safety journey that enables smart safe operation through AI/AR-based vessel operation management, sensor-based vessel performance monitoring, and intelligent vessel management module.



AI powered AR Navigation Management

provide to powerful situation awareness with intuitive user interface

Sensors based Ship Performance Monitoring

helps to ad-hoc analyses for enhanced safety voyage efficient navigation management

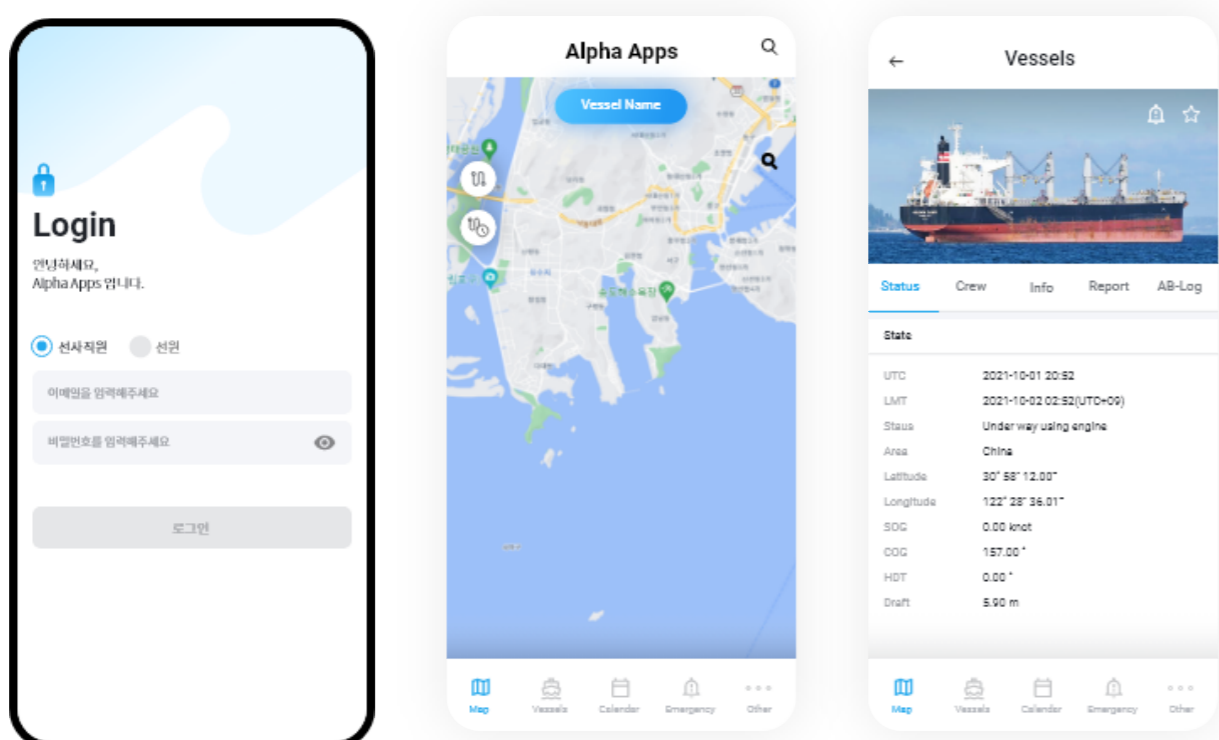
Intelligent Ship Management

support to on-offshore in all technical, operational and compliance aspects

- Intuitive Situation Awareness with AI powered AR Navigation
- Enhanced Safety Voyage with Context fusion
- Implemented the ship drawing on the 2D radar algorithm
- Collision Avoidance Alarms based on CPA and TCPA from AIS or ARPA

03 Alpha Apps / Mobile Vessel Management Service

Alpha Apps together with Alpha Captain enable seafarers to be more productive on their tasks on board.



- Map-based Voyage Monitoring
- Calendar-based Voyage scheduling
- Push Alarm-based Tasks & Emergency Response Management
- Voyage statistics Management

Technical Module

Scope includes construction of One Preventive machinery maintenance system with all parameter, configuration settings & global shared data as from owner's existing system and the collection of all vessel initial data and installed equipment maintenance & spares manuals

- Vessel Operation
- Master's General Account
- On Board ISM
- Synchronization Module
- Supply Cycle
- Crewing System
- Risk Assessment
- Bar Code System and Hardware

Implementation & Commissioning

- Data Services for creating vessel PMS data
- Machinery particulars/locations/maintenance plan according to job code/job particular/survey list (Max. 200 system base)
- Spare Parts catalogue entry (Max. 20,000 items)
- Data Service for creating vessel survey jobs data
- Data Service for creating vessel safety equipment data
- Onboard Visit for implementation and training for implementation (10 days on board stay plus travelling days to Mumbai)
- Onboard Visit for implementation and training for commissioning (10 days on board stay plus travelling days to Mumbai)